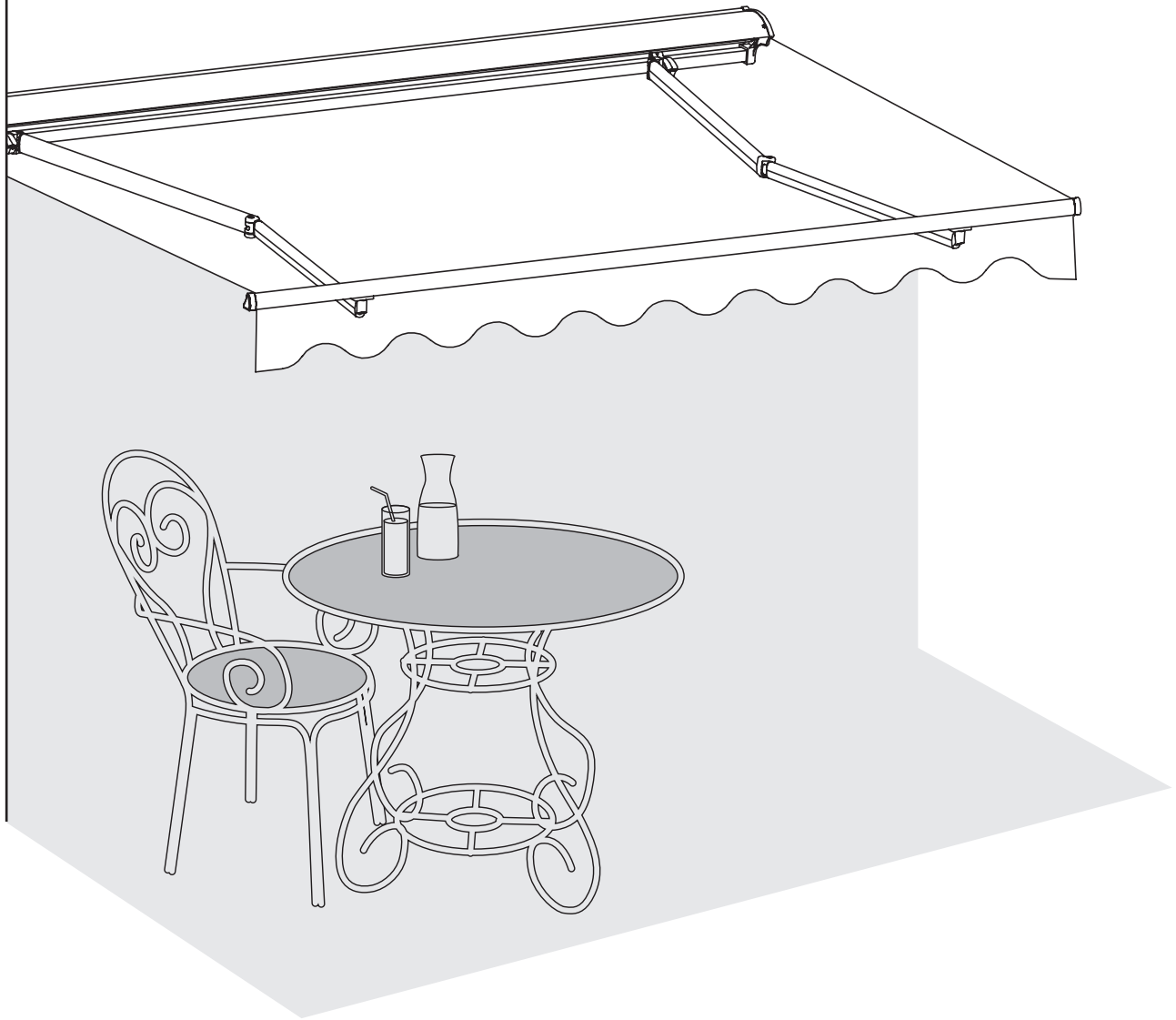


# LUXURY SERIES Retractable Awning



## Owner's Manual (Dual-Use Mounting Brackets)

For your safety and the safety of others, please read all of the instructions and warnings in this manual carefully before proceeding with an installation and usage.

# TABLE OF CONTENTS

Safety instructions and warnings .....	2
Package contents and parts .....	3
Tool requirements .....	4
Product features .....	4
Installation	
Bracket placement reference chart .....	5
Determine where to install your awning .....	6
Install wall brackets	
Standard stud installation .....	7
Masonry installation .....	8
Install ceiling brackets .....	11
Install awning onto brackets .....	12
Ready your awning .....	13
Install power cord for electric models .....	13
Prepare remote control .....	13
Operation	
Manual operation .....	14
Electric operation .....	14
Fabric rolling direction .....	15
Adjust awning pitch .....	15
Maintenance .....	16
Warranty .....	17~18

## SAFETY INSTRUCTIONS



In order to avoid accidental injury or damage, **DO NOT** remove arm safety restraints until instructed.

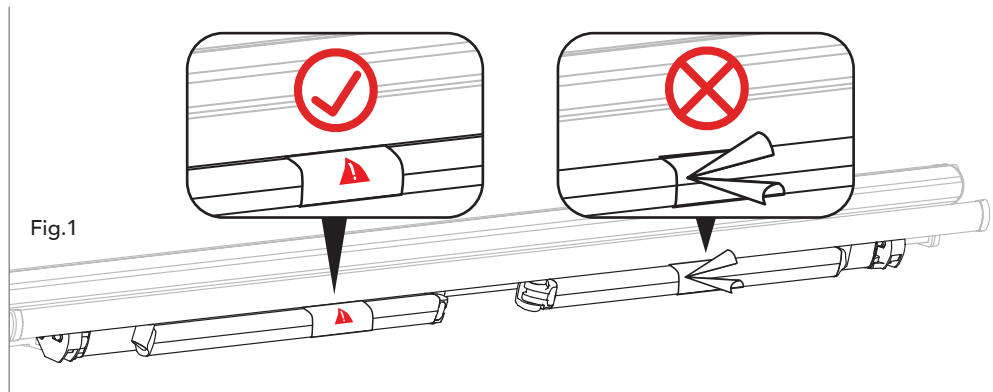
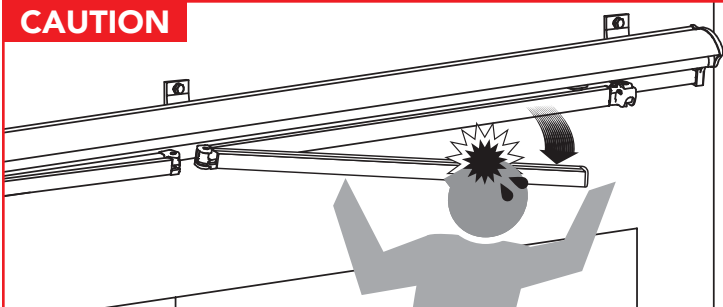


Fig.1

### CAUTION



The awning arms contain tensioned cables. Always use caution, securely tie the awnings arms to the awning when performing installation, adjustments, or repairs. Sudden movement of tension arms can result in serious personal injury, product and/or property damage.

# SAFETY INSTRUCTIONS AND WARNINGS

## SAFETY FIRST, PLEASE READ THE FOLLOWING POINTS TO REDUCE THE RISK OF FIRE, ELECTRIC SHOCK OR PERSONAL INJURY.

### Installation

- Pay close attention throughout the installation process to ensure that the Advaning awning is installed properly and according to the safety guidelines outlined herein.
- Do not attempt installation while under the influence of alcohol or drug substances.
- Do not remove the safety restraints from the awning's lateral arms until instructed to do so. The arms contain tensioned springs and may release very quickly. Always ensure no persons or objects are directly in arm projection path at all times.
- Do not proceed with an installation if you feel that you cannot properly and safely complete, please seek professional help.
- Always wear protective gear and gloves when handling sharp metal parts.
- Only perform installation/maintenance/cleaning in dry and optimal weather conditions.
- 2 or more persons are recommended for installation. Installation will require to lift the assembled awning onto the brackets. Ensure help is available to help lift.

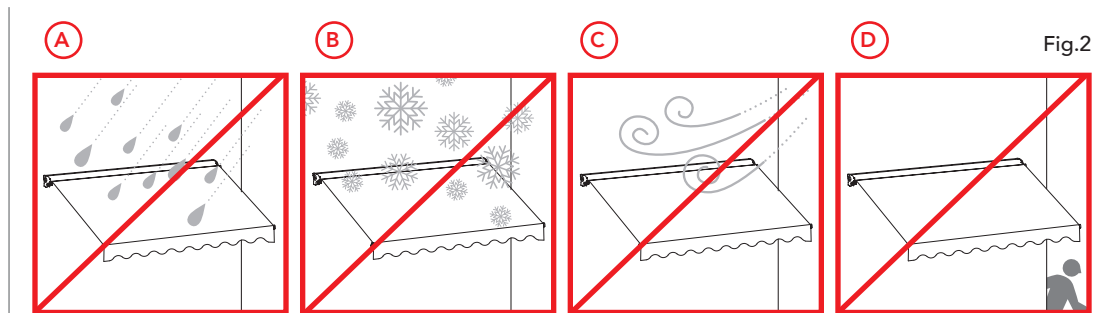
### Usage

- Only use Advaning recommended accessories and original replacement parts.
- Only perform installation/maintenance/cleaning in dry and optimal weather conditions.
- Do not place any heat source or open flame under or near the awning.
- Do not place, hang, or stand objects or persons on the awning itself. Doing so can damage the awning or cause severe personal injury and in extreme cases death.
- Do not carry out any maintenance other than what is shown in this manual. For any issues that are not covered in this manual, please seek support from Advaning Customer Service. Email: [service@advaning.com](mailto:service@advaning.com)
- The product should only be operated by an adult that understands all the functions and operations. Please keep unsupervised children away from playing with the awning or its parts.
- The product should be used only as described in this Advaning Owner's manual.

### Electric Awnings Only

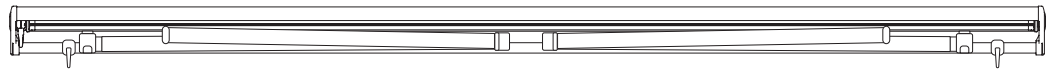
- Do not disassemble the awning motor, please seek support from Advaning Customer Service. Email: [service@advaning.com](mailto:service@advaning.com).
- Do not handle any part of the power plug or motor with wet hands or objects. Doing so could induce an electric shock.
- Do not use the electric option if the cord or plug is damaged. For damaged power cords and plugs, please seek support from Advaning Customer Service. Email: [service@advaning.com](mailto:service@advaning.com)
- Ensure that the power cord is not strained and that it has ample slack to avoid damage. Avoid pulling the cord around sharp edges or corners. Keep the power cord away from high traffic areas.
- Do not pull or tug on the cord. Grasp the plug by the base when unplugging the device to avoid damage. Rewind the cord and store to prevent a tripping hazard.

**DO NOT** keep the awning open during:  
A: RAIN  
B: SNOW  
C: STRONG WIND  
D: UNSUPERVISED PERIODS



# PACKAGE CONTENTS AND PARTS

Before installation, make certain that the package contains all parts as listed on this page.



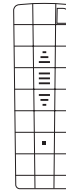
Awning unit Qty: 1



Hand crank Qty: 1 (63 Inches Length)



Motor Regulator\* Qty: 1



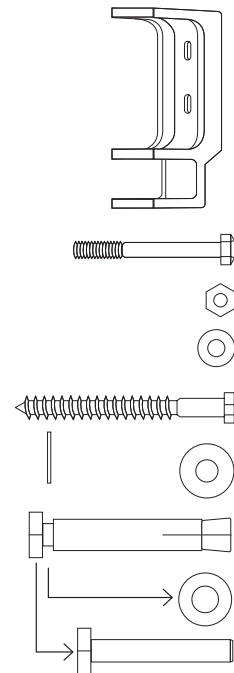
Remote Control Kit\* Qty: 1

\*Motorized models Include:

- 16ft power cord
- Motor Regulator
- Remote Control Kit
  - Remote with cover screw
  - Battery
  - Wall Cradle
  - Wall Mount with screws

Advaning awnings allow users to set a customized stop with the Motor Regulator.

Contact Advaning for customized stop setting instructions if needed.



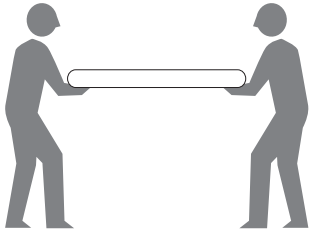
Model		8'~10'	12'~13'	14'	16'
Parts name		Quantity			
Wall/ ceiling dual bracket set	Wall/ ceiling bracket	2	3	4	5
	Retaining hex bolt	2	3	4	5
	Retaining nut	2	3	4	5
	3/8" washer	2	3	4	5
	3/8"x4" Lag screw	4	6	8	10
	3/8" Flat washer	4	6	8	10
Expansion bolt set	Expansion bolt	4	6	8	10
	Washer	4	6	8	10
	Hex bolt	4	6	8	10

Fig.3

# REQUIRED TOOLS



Minimum 2 people to install



## REQUIRED TOOLS

- ① Marker / pencil
- ② Measuring tape
- ③ Electronic Stud finder
- ④ Chalk line / laser level
- ⑤ Level
- ⑥ 3/8" socket wrench
- ⑦ Drill bit
- ⑧ Masonry drill bit
- ⑨ Drill with bits
- ⑩ Ladders (2)

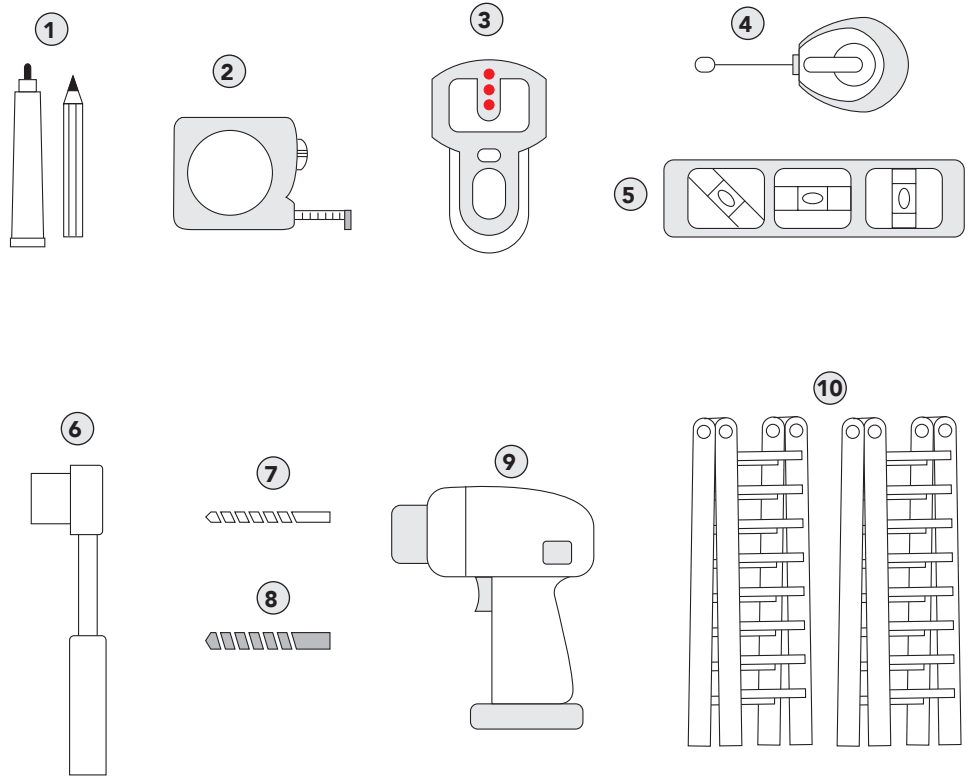


Fig.4

# PRODUCT FEATURES

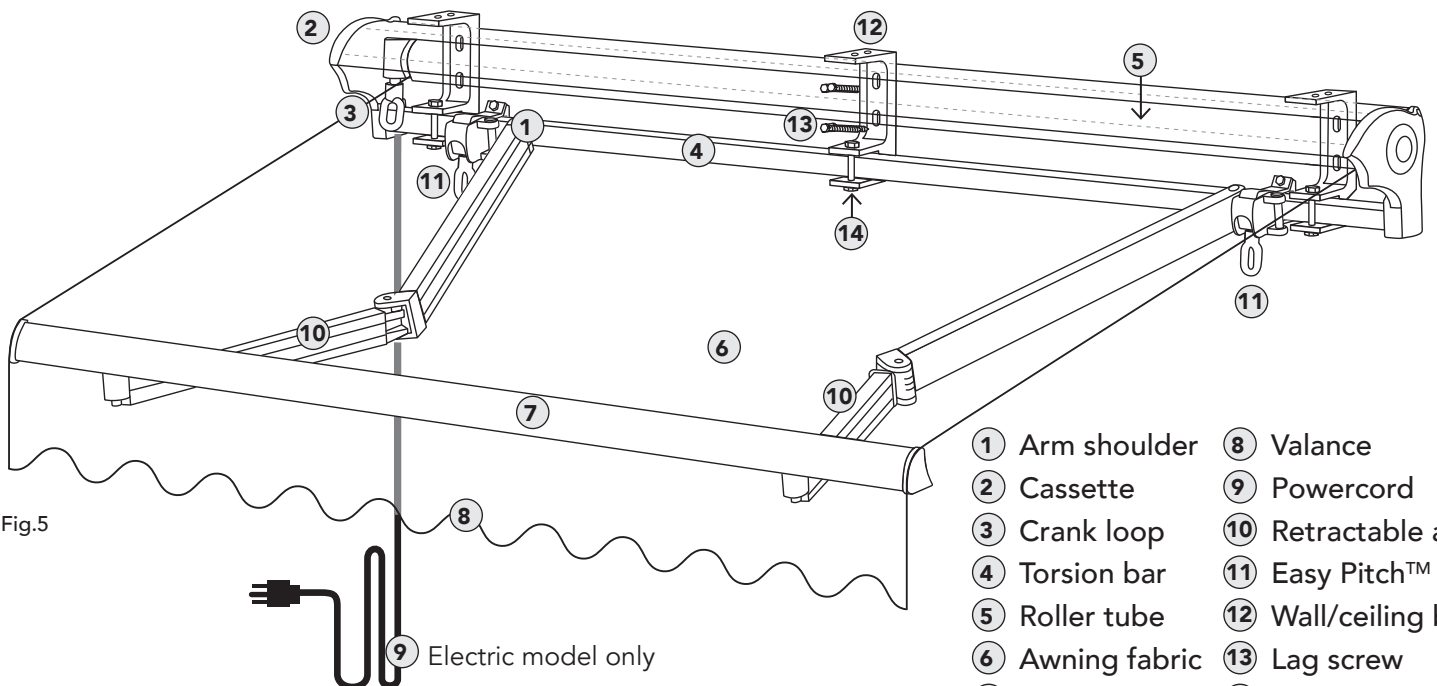


Fig.5

- ① Arm shoulder
- ② Cassette
- ③ Crank loop
- ④ Torsion bar
- ⑤ Roller tube
- ⑥ Awning fabric
- ⑦ Front bar
- ⑧ Valance
- ⑨ Powercord
- ⑩ Retractable arms
- ⑪ Easy Pitch™ loop
- ⑫ Wall/ceiling bracket
- ⑬ Lag screw
- ⑭ Retaining bolt

# INSTALLATION

## BRACKET PLACEMENT REFERENCE CHART

Please use the charts for bracket location reference.

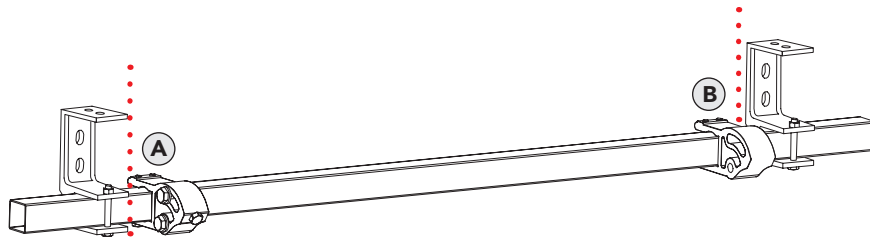
- (A) Left awning shoulder
- (B) Right awning shoulder

Not every installation is identical, and most studs/structural supports will not always align.

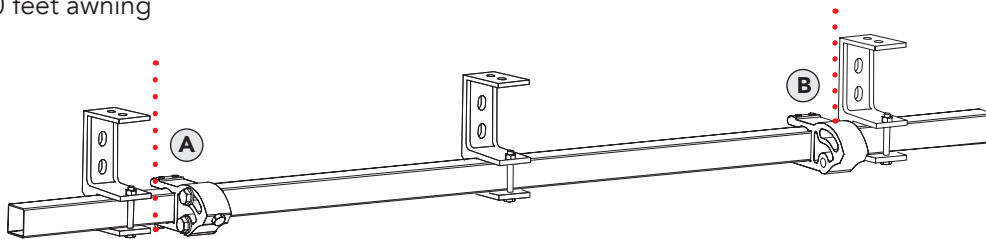
For optimal balance of awning weight distribution, please follow the bracket placement illustration below.



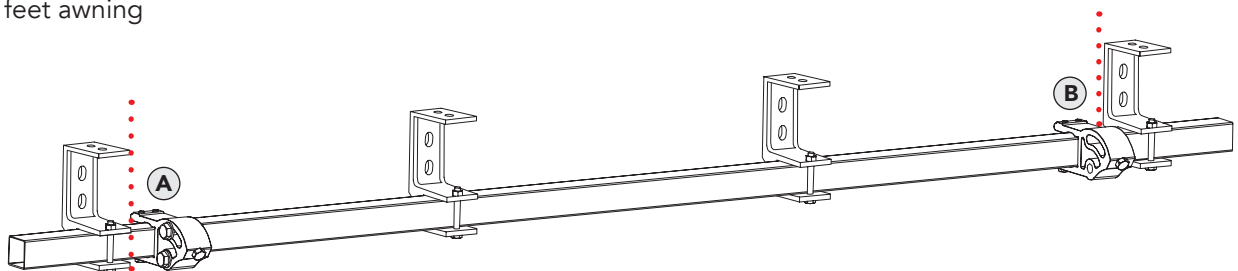
All brackets must be mounted onto wall studs or other major structural supports.



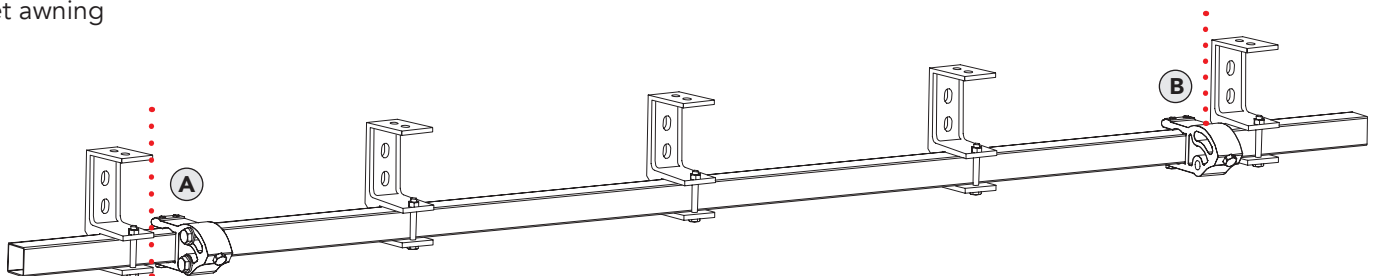
8 ~ 10 feet awning



12 ~ 13 feet awning



14 feet awning



16 feet awning

Fig.6

# INSTALLATION

## DETERMINE WHERE TO INSTALL YOUR AWNING

Locate a position that is

- Ⓐ Recommended 8 to 10 feet above the ground/floor/deck.
- Ⓑ Minimum 1 inch clearance below the roof/eave/overhang.
- Ⓒ With at least 12 vertical inch of clear space.



The surface should be free and clear of any obstructions along the entirety of the awning.

- Ⓓ Minimum 8 feet width.

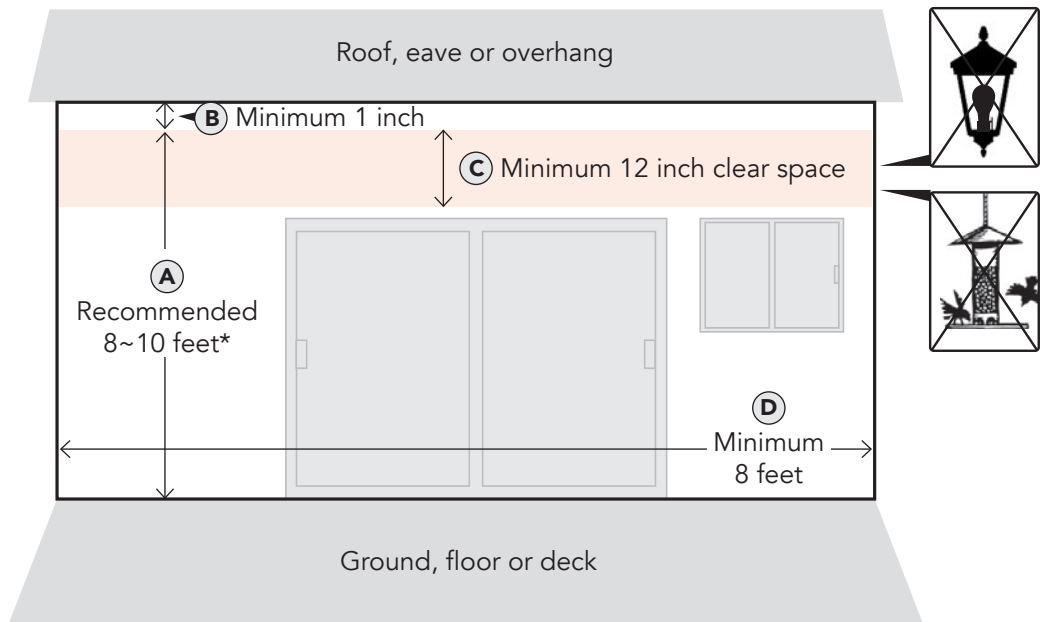


Fig 7 \*Personal height and installation site specifications may require an alternate install height to the recommended 8 ~ 10 ft.

## Side view

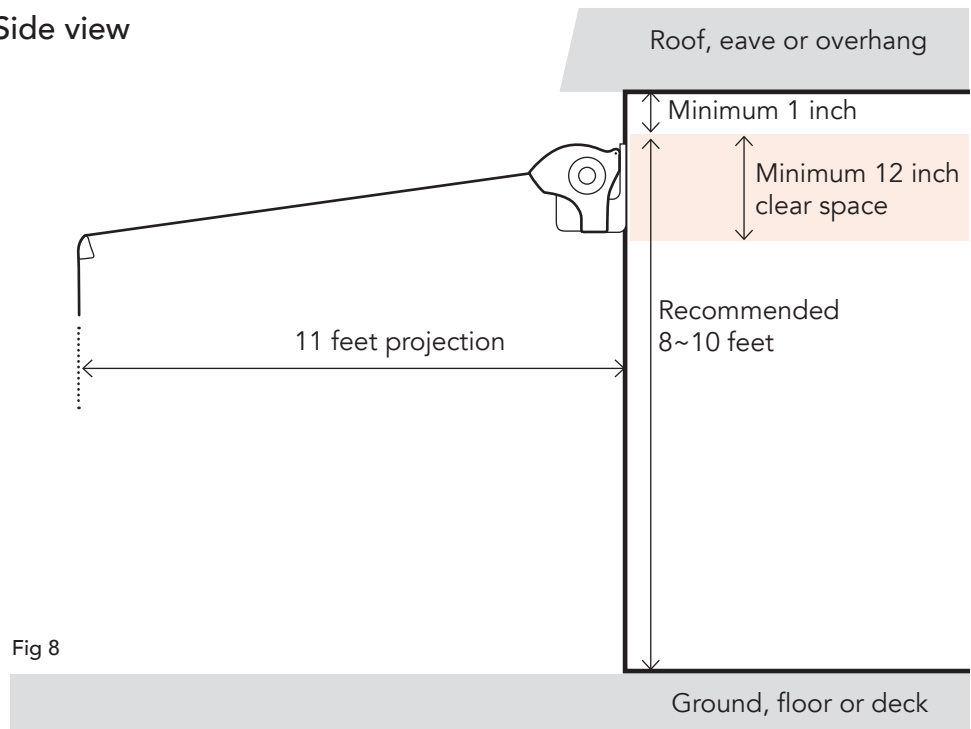


Fig 8

# INSTALLATION

## INSTALLING WALL BRACKETS

### Standard stud installation

- ① Measure and mark where the top of your awning bracket will be placed.
- ② Use a regular level and chalk line or a laser level, mark a straight level line.
- ③ Locate and mark the center of the wall studs along this line using a stud finder. \*Please follow the directions of your stud finder as instructed by the manufacturer.
- ④ Align the top of the bracket to the chalk line.
- ⑤ Align the center of the bracket mounting holes with the center of the stud.
- ⑥ Use a level to make sure the bracket is straight and mark the center of the mounting holes.
- ⑦ Drill mounting holes using a drill bit.

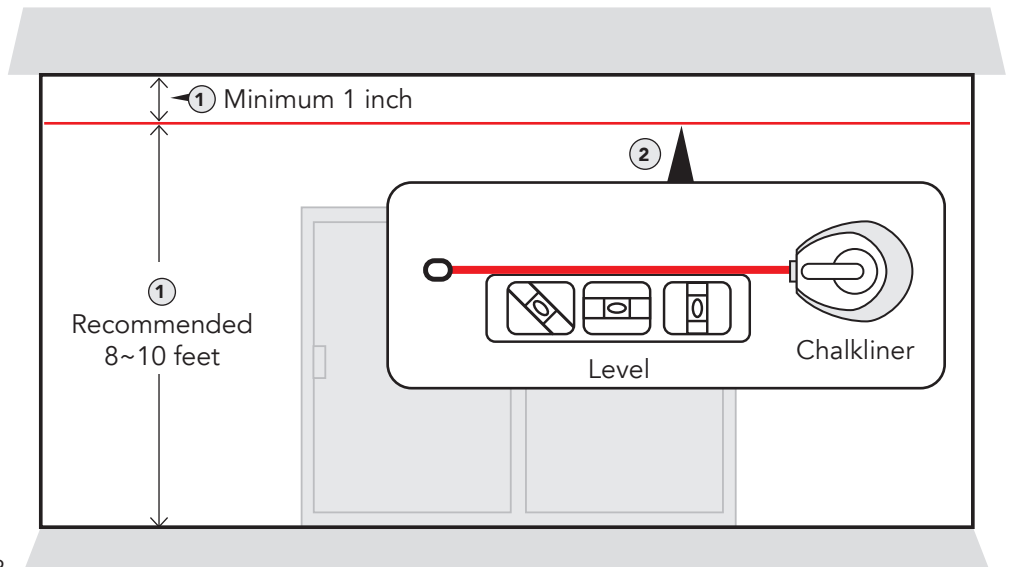


Fig 9

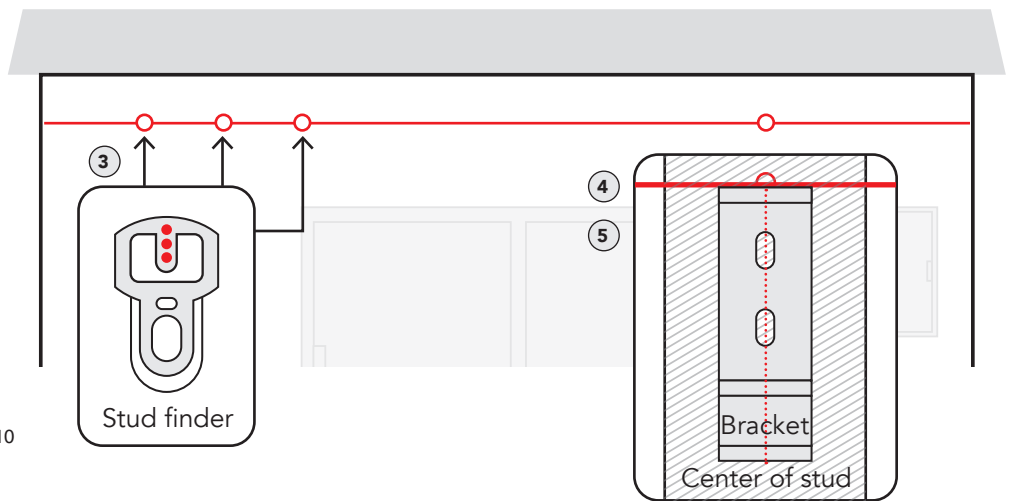


Fig 10

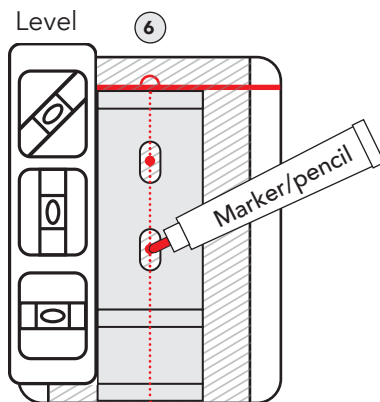


Fig 11

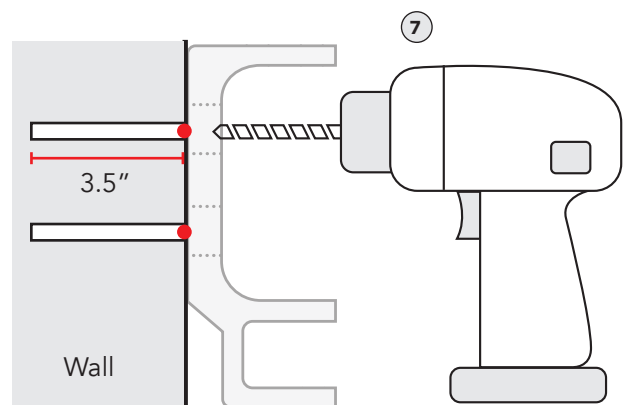


Fig 12



# INSTALLATION

- ⑧ Place brackets over the appropriate holes and use a level to make sure the bracket is leveled and square to the line.
- ⑨ Use a washer and lag screw to secure all the brackets until snugged against the surface.

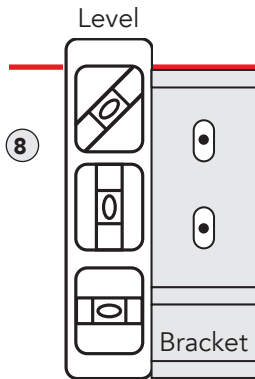


Fig 13

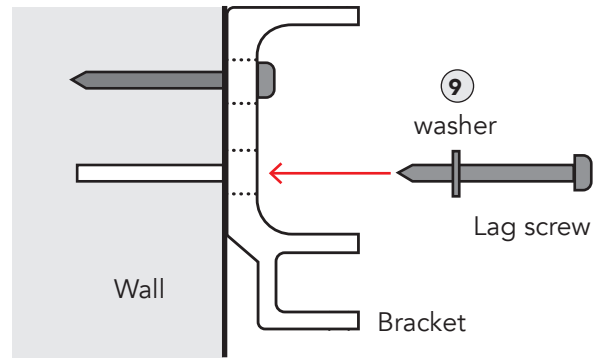


Fig 14

For proper installation of brackets on uneven surfaces or siding, use shims or spacers to level the bracket.

Due to a variety of siding finishes/materials, Advaning recommends contacting the siding manufacture for necessary requirements before using shims, cutting or drilling into your siding.

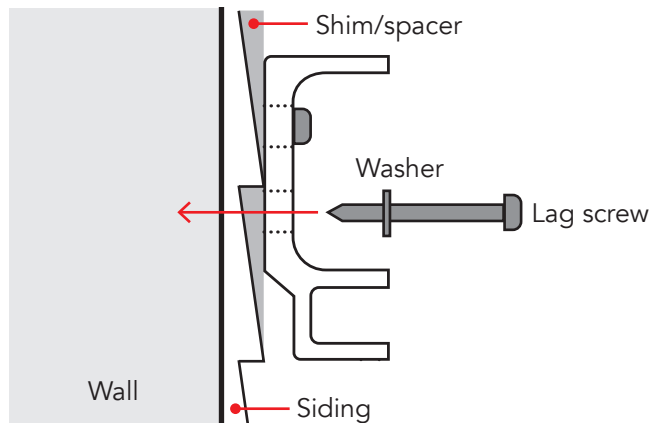


Fig 15

## Masonry installation

For installing Advaning awning onto brick or solid concrete wall/surface.

**CAUTION:** Always install brackets securely to the brick or concrete and not in the grout to avoid collapse and personal injury.

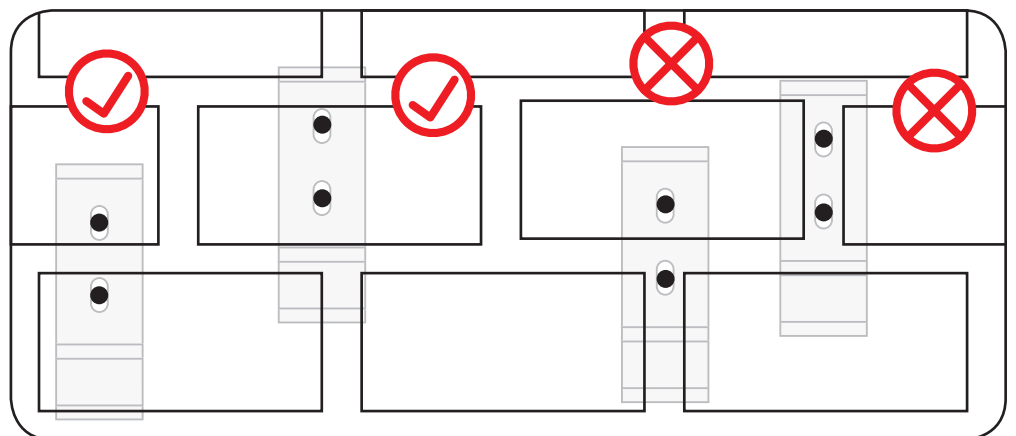


Fig 16

# INSTALLATION

- 1 Follow instructions for standard installation step 1 and 2 (page 7).
- 2 Use the recommended bracket location chart (page 5) to find bracket location for your awning model along the line.
- 3 Align the top of the bracket to the chalk line and use a level to make sure the bracket is straight.
- 4 Mark the center of the bracket mounting holes.
- 5 Drill mounting holes using a masonry drill bit.

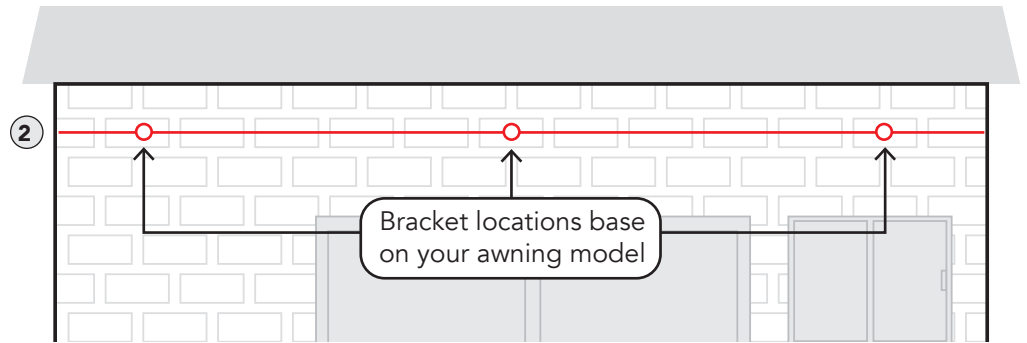


Fig 17

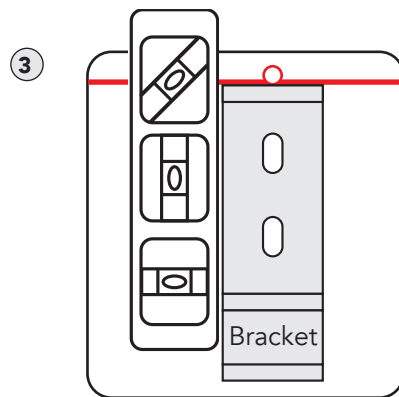


Fig 18

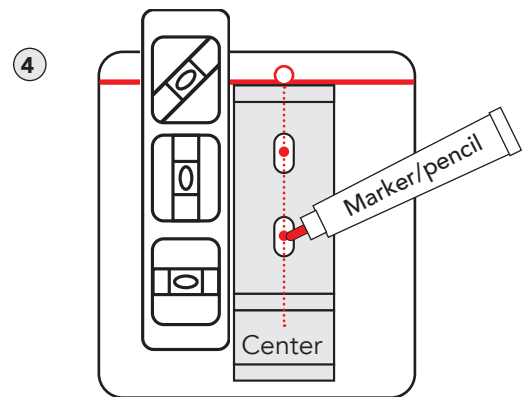


Fig 19

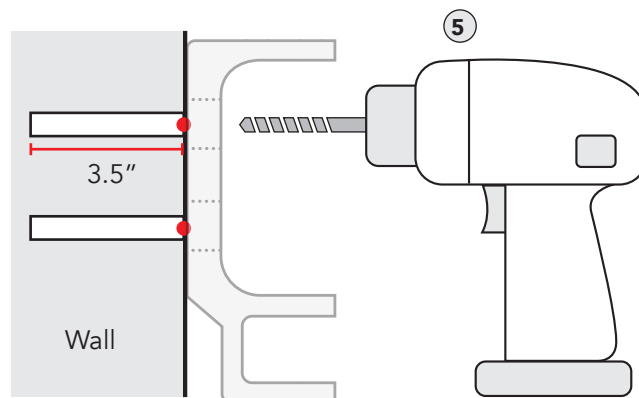


Fig 20

# INSTALLATION

- ⑥ Insert an expansion bolt set into each of the drilled bracket holes.
- ⑦ Leave the hex bolt head outside of the hole.
- ⑧ Tighten the hex bolt head. Do not over-tighten bolt as this may cause difficulty with release.
- ⑨ Unscrew and remove only the hex bolt. Leave the expansion sleeve inside the hole.
- ⑩ Place the wall bracket over the holes and use a level to make sure the bracket is straight.
- ⑪ Re-insert the hex bolts into the holes through the wall bracket.
- ⑫ Tighten the hex bolts to secure wall bracket to surface.

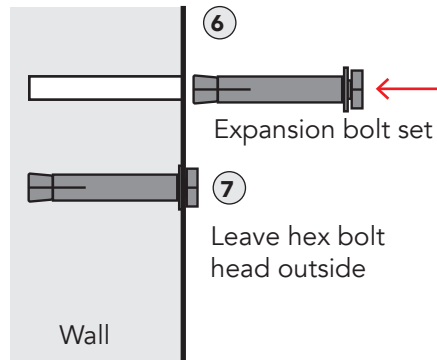


Fig 21

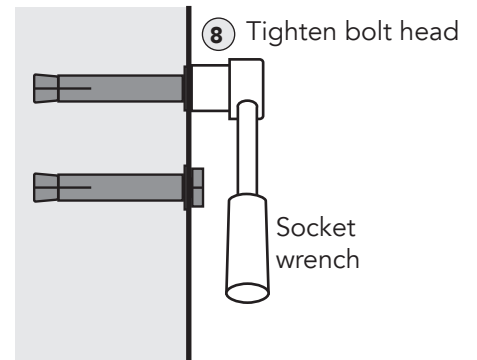


Fig 22

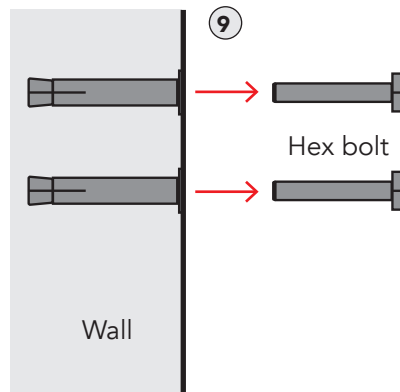


Fig 23

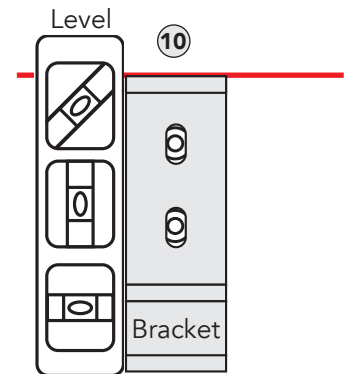


Fig 24

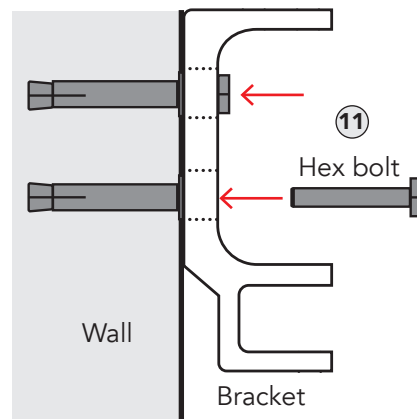


Fig 25

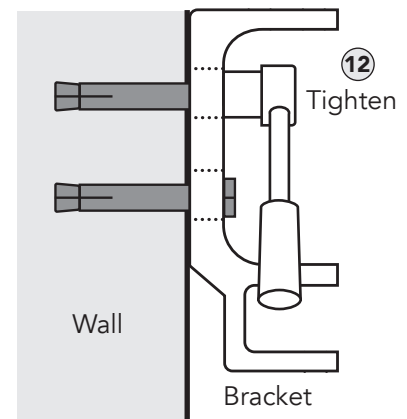


Fig 26

# INSTALLATION

## INSTALLING CEILING BRACKETS

- 1 Locate a main structural support (ex: stud/truss), straight flat and leveled edge of your roof, eave or overhang that is clear and free of obstructions.
- 2 Using a chalk line or laser level, mark a line that runs the entire length of your awning. The awning will stand 10" off of this line.
- 3 Use the recommended bracket location chart (page 5) to determine bracket locations for your awning model along the line.
- 4 Place the ceiling brackets in the appropriate locations. Use a level to make sure the bracket is straight and mark the center of the mounting holes.
- 5 Drill mounting holes using a drill bit.

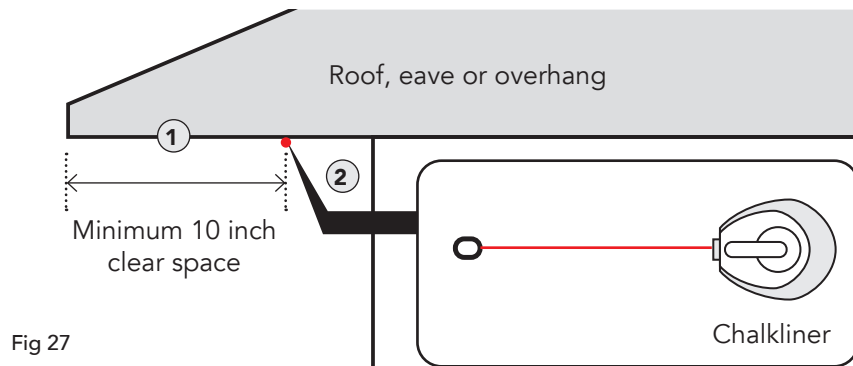


Fig 27

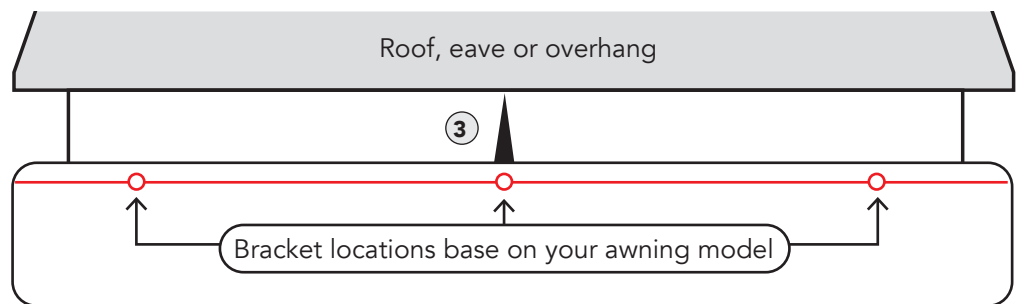


Fig 28

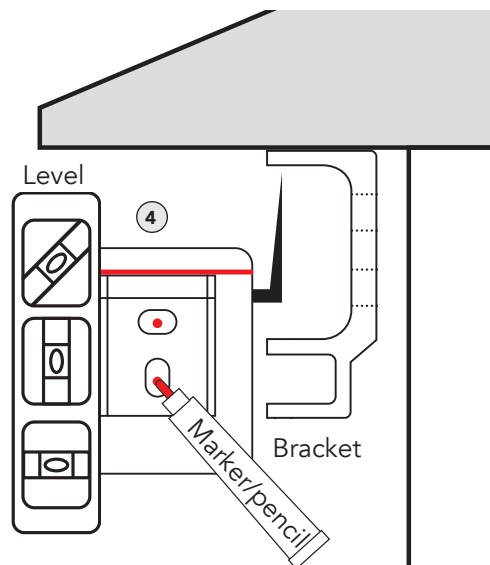


Fig 29

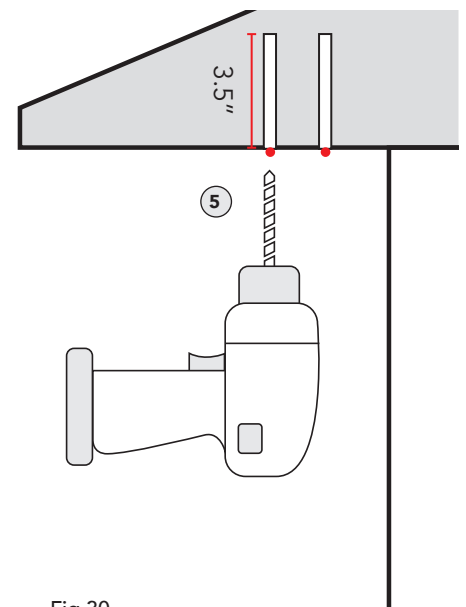


Fig 30

# INSTALLATION

- ⑥ Place brackets over the appropriate holes.
- ⑦ Using a washer and a lag screw, secure the brackets to the surface until snug.
- ⑧ Attach wall bracket to the ceiling bracket using the provided bolts, washers and nuts.

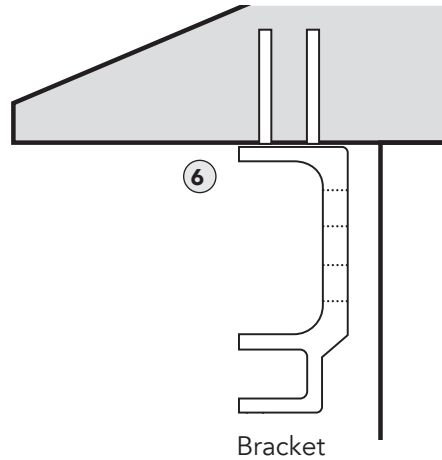


Fig 31

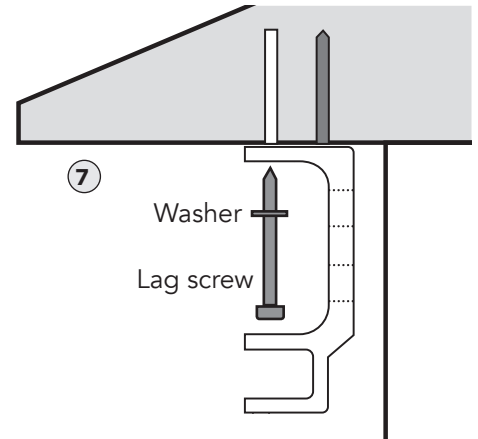


Fig 32

## INSTALLING AWNING ONTO BRACKETS

- ① Remove the bolts on the front of the wall brackets.
- ② Slide torsion bar into the square section of the bracket.
- ③ Place retaining bolt into the bracket and use the nut and washer to secure bolt into place.
- ④ Tighten the bolt with a socket wrench.

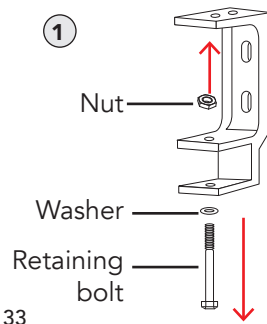


Fig 33

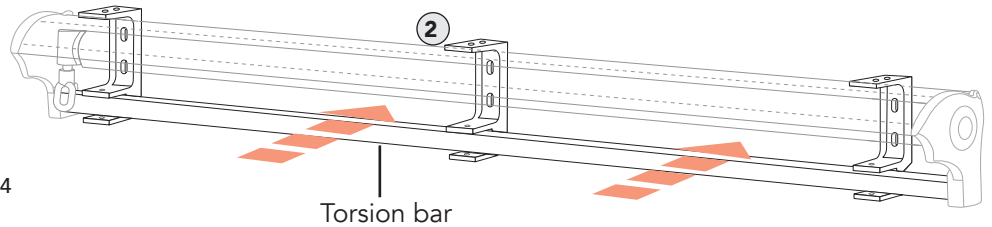


Fig 34

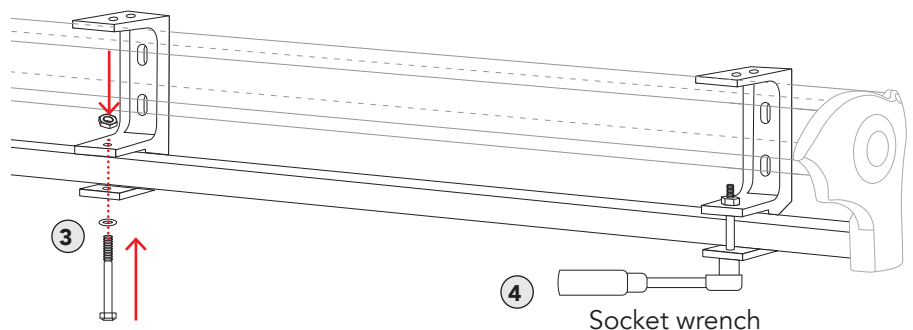


Fig 35

# INSTALLATION

## READY YOUR AWNING

Before removing the safety restraints, make sure that no persons or objects are directly in arm projection path.

Motorized Awning: Do not plug in the power cord at this step.

**CAUTION:** The arms contain tensioned springs and may release very quickly.

- ① Position yourself under the awning.
- ② With scissors, carefully cut the safety restraints from the arms one at a time. Avoid damaging your awning – Do not use a knife or blade.

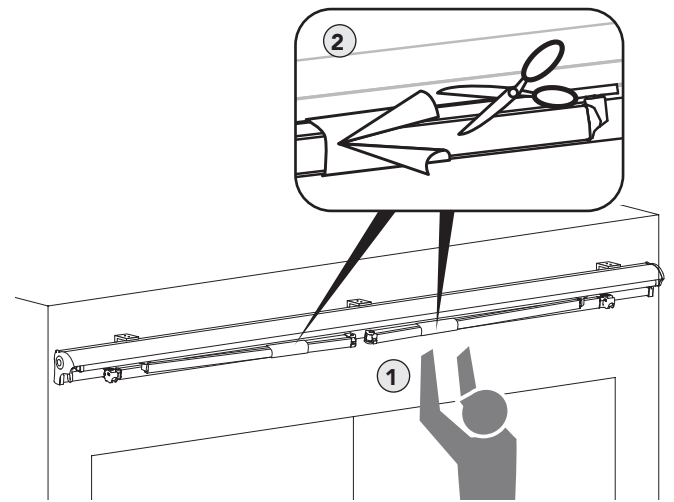


Fig 36

## INSTALL POWER CORD FOR ELECTRIC MODELS

- ① Plug into a GFI rated outdoor socket.
- ② Use a drip loop to avoid water collecting on electrical socket.

Do not modify the plug.

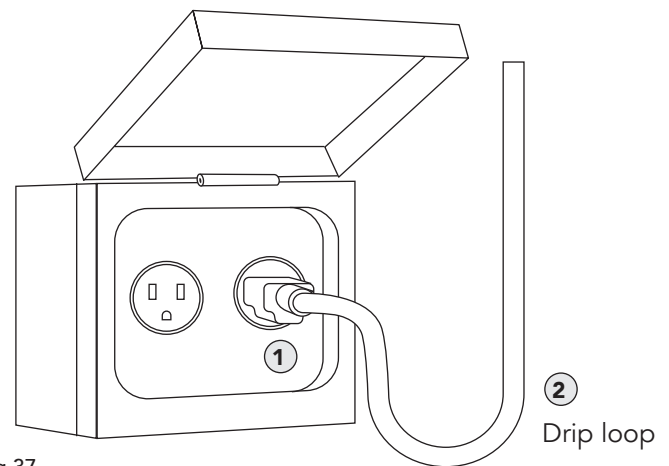


Fig 37

## PREPARE REMOTE CONTROL

Your remote control will come with a CR2430 Battery. Gently pull the plastic tab so that your battery makes connection.

- ① Ensure the batteries (+) symbol faces outward.
- ② Replace the battery cover and secure with screw.

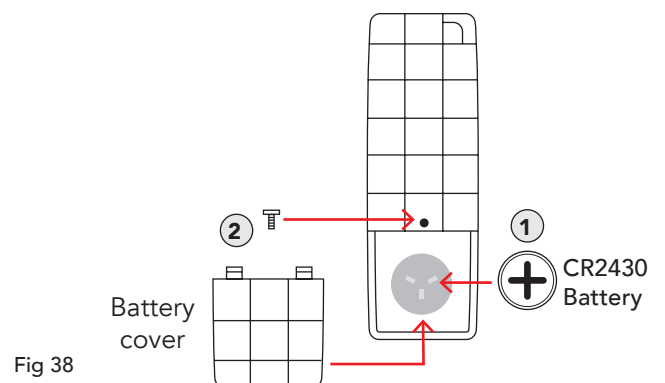


Fig 38

# OPERATION

## MANUAL OPERATION

- ① Use the hand crank to open the awning fully then close it completely to test for proper operation.

Correct rolling instructions: Page 15, Fig 42.

- ② Use the hand crank and open the awning to desired extension.

To keep the fabric taut, always reserve a small portion of the awning fabric on the roller tube

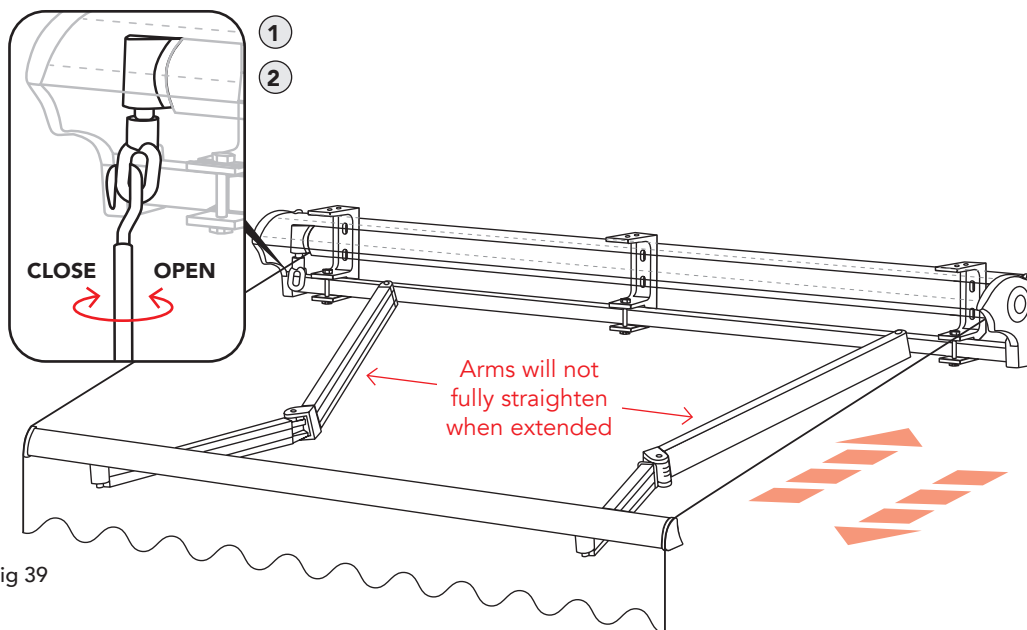


Fig 39

## REMOTE CONTROL OPERATION – MOTORIZED AWNINGS ONLY

- ① Use the remote control to deploy (open) the awning fully then use the remote control to retract (close) the awning completely.

- ② Use the remote control's stop button (center) to stop the awning at a desired extension.

Contact Advaning for remote control re-synch or customized stop setting instructions if needed.

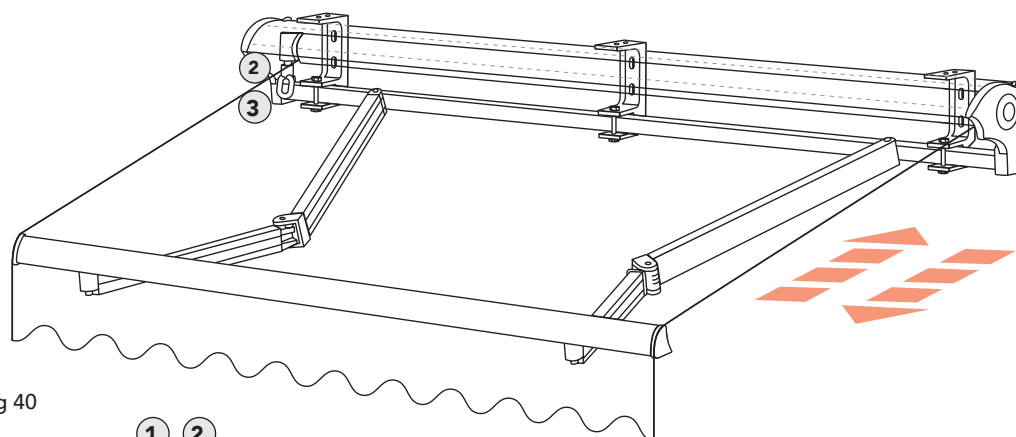
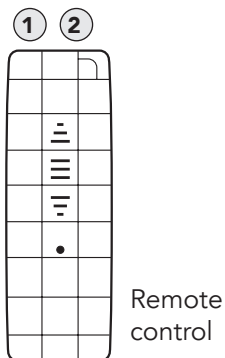


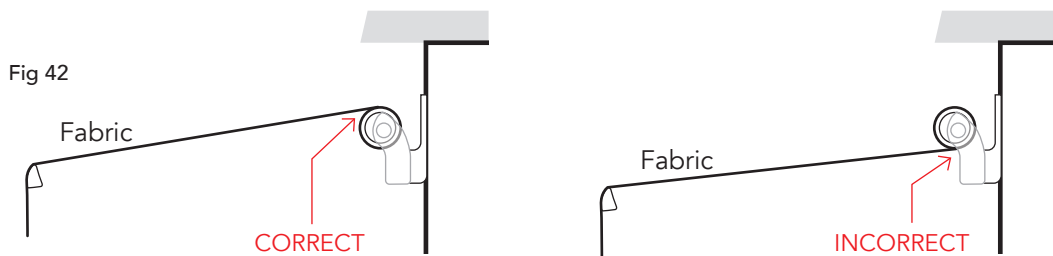
Fig 40



# OPERATION

## FABRIC ROLLING DIRECTION

Always ensure the fabric is rolled over the fabric roller tube.



## ADJUST AWNING PITCH

If the pitch is adjusted upwards from factory setting, please set the pitch down to its original factory setting to properly close the awning.

- ① Open the awning about 1/3 extension or 2ft out.
- ② With the aid of a helper supporting the front bar of the awning, hook the hand crank through one of the Easy Pitch™ loops.
- ③ Turn the hand crank to adjust the awnings pitch up or down.
- ④ Repeat the adjustment to all Easy Pitch™ loops.
- ⑤ Fully open the awning and with the use of a level ensure the front bar is straight and leveled.

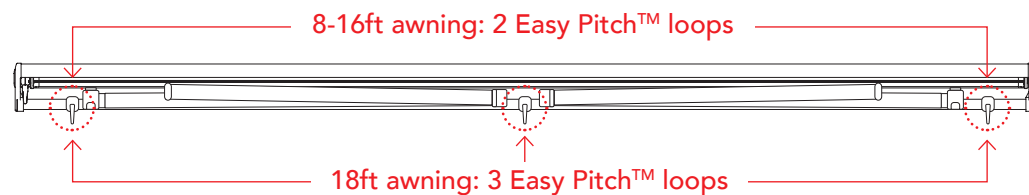


Fig 41

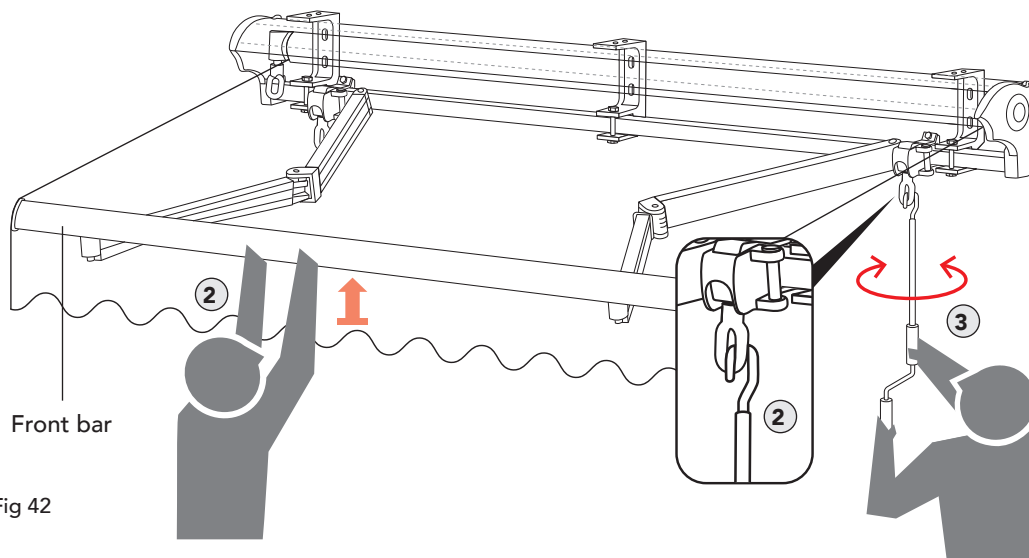


Fig 42

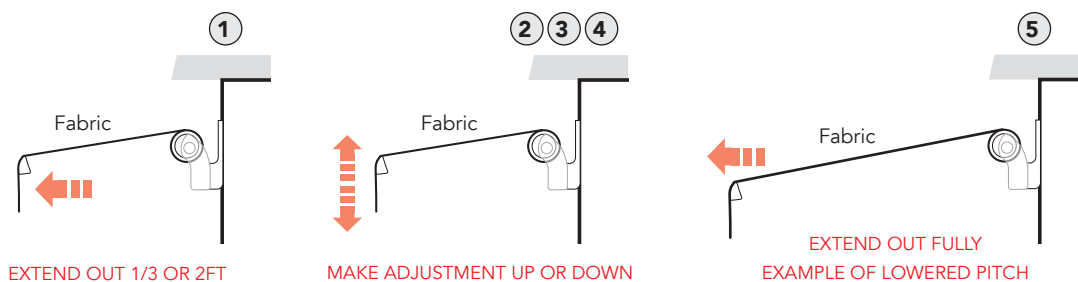


Fig 43



# MAINTENANCE

## PREPARING YOUR AWNING FOR INCLEMENT WEATHER

Always retract and keep your awning fully closed whenever inclement weather is in the forecast to prevent damage from accumulated water, snow or from strong gusts of wind.

## GENERAL CARE

- A. Keep the awning fully close when not in use and at night to help maintain fabric appearance and avoid any weather related damage.
- B. Protect the awnings cassette with a soft cover during prolonged periods of non-use.
- C. Lubricating your awning's moving parts once a year to prevent noises. A dry silicone lubricant or lithium grease spray is recommend. Lubrication instructions are available via [www.advaning.com](http://www.advaning.com)

## CLEANING CARE

To clean your Advaning awning, lower pitch via the Easy Pitch™ loops and open awning completely to see and access the top of the awning and allow proper water drainage. Use a mild soap and water mix (1 part soap to 2 parts water) and standard garden hose to gently remove any accumulated dust, dirt, or debris. Raise the pitch to its regular setting and allow the awning to fully dry before retracting/closing. To dust the awning, a damp cloth, chamois, or soft bristle brush is recommended.

## PROTECTING THE FABRIC FROM MILDEW

Should the awning's fabric get wet, allow it to fully dry before retracting to prevent mildew and prolong the life of the fabric. If you must retract the awning while wet, open the awning as soon as the weather permits to allow the fabric to fully dry and remove any dirt deposits to preserve the fabric.

## FRAME CARE

Perform annual maintenance on your awning such as cleaning the frame with a chamois cloth when necessary. It is important to inspect the fasteners, connections and the condition of the metal components.

## MOTOR NOTICE

The electric motor is equipped with an automatic overheat protection shutoff system. If you run your awning several times continuously, the motor will stop its operation. It will resume normal operation after 30 minutes.

Do not attempt to disassemble or modify the motor. Should your motor not operate correctly, please close your awning manually and contact Advaning Customer Service. Email: [service@advaning.com](mailto:service@advaning.com)

## MOTOR CARE

To prevent water from entering the power outlet and damaging the motor, form a drip loop as shown in figure 37. The bottom of the loop is lower than the power outlet to prevent water from pooling near the electrical socket and power plug.

# LIMITED WARRANTY AND CUSTOMER SERVICE

## LIMITED WARRANTY COVERS

Advaning warrants all Advaning original products, sold and installed within the contiguous 48 states of the United States, to be free of defects of materials and workmanship. This warranty only applies to the original owner or purchaser of the product and is only effective on a basis for twenty-four (24) months or two (2) years from the date of purchase. Any defects or issues presented to Advaning within the warranty period will be handled by Advaning Customer Service within a reasonable time.

Entire awning framework, including extruded and die cast component parts, springs and cables are covered under the limited warranty. Should the purchaser notify Advaning within the twenty-four (24) months or two (2) year period from the date of the original purchase, Advaning will ship out replacement part at no charge. Advaning reserves the right to ask for the defective component to be returned and/or photos/videos of the defective component. Powder coated finishes and painted finishes are excluded and are NOT covered under this limited warranty. Fabric fading is not covered under warranty, follow all maintenance guides to prolong the life of the fabric color/appearance.

ANY MODIFICATIONS OR ALTERATIONS TO THE PRODUCT WILL VOID THIS WARRANTY.

ADVANING, INCLUDING ITS SUBSIDIARIES AND AFFILIATES SHALL NOT BE RESPONSIBLE IN ANY MANNER WHATSOEVER FOR INJURY, DEATH OR DAMAGE TO PROPERTY AS A RESULT OF THE INTENTIONAL OR ACCIDENTAL MISUSED FOR PURPOSES FOR WHICH THE PRODUCT WAS NOT DESIGNED FOR.

## WARRANTY LIMITATION AND EXCLUSION

The warranty will be in effect once the awning is fully paid for.

**Advaning** is not responsible for damages due to faulty modifications, installation, or re-installation.

Advaning assumes no liability for damage to the structure to which the awning is attached, or to the property located underneath the awning. This limited warranty does not cover damage from ice, snow, hail, high winds, vandalism, neglect, improper use, or any natural disasters. This limited warranty does not cover degradation due to salt corrosion, oxidation, and chipping or peeling of the paint.

## Problems and Warranty Claims

If you experience a problem with your Advaning product, please contact Advaning Customer Service at [service@advaning.com](mailto:service@advaning.com).

- Prior to contacting Advaning via phone or email for warranty claims, please have your model name/number, serial/lot number, original proof of purchase\*, and a description of difficulty experience ready for our Customer Service team. Most issues can be resolved over the telephone by our trained Customer Service representatives. If any issues arise that cannot be solved over the phone or email, Advaning will issue a Return Merchandise Authorization ("RMA") number, and arrange replacement parts for you.

\*Proof of Purchase: A valid sales/purchase receipt is required with authorized reseller/retailer name, the purchase date and the model number of the item purchased.

For more information on returning a RMA product, please see Advaning Return Policy or contact Advaning Customer Service Department at [service@advaning.com](mailto:service@advaning.com).

- All Work will be carried out by Advaning or its authorized agents and will not extend the warranty coverage period beyond the twenty-four (24) months from the original date of purchase. Any work done by a third party or non-authorized Advaning agent will void this warranty.

THIS WARRANTY IS EXCLUSIVE AND IS IN LIEU OF ANY AND ALL OTHER WARRANTIES, EXPRESSED OR

## LIMITED WARRANTY AND CUSTOMER SERVICE

IMPLIED. NO IMPLIED WARRANTIES OF MERCHANTABILITY OR FITNESS FOR A PARTICULAR PURPOSE ARE GIVEN, ANY AND ALL LIABILITY FOR BREACH OF ANY IMPLIED WARRANTY OR WARRANTY CREATED BY LAW IS DISCLAIMED.

Some states do not allow limitations on how long an implied warranty lasts, so the above limitation may not apply to you.

UNDER NO CIRCUMSTANCES SHALL ADVANING, INCLUDING ITS SUBSIDIARIES AND AFFILIATES BE LIABLE FOR INCIDENTAL OR CONSEQUENTIAL DAMAGES WITH RESPECT TO ECONOMIC LOSS, INJURY, DEATH OR PROPERTY DAMAGE, WHETHER AS A RESULT OF BREACH OF THIS WARRANTY, NEGLIGENCE OR OTHERWISE.

Some states do not allow the exclusion or limitation of incidental or consequential damages, so the above limitation or exclusion may not apply to you in whole or in part. This warranty gives you specific legal rights. You may also have other rights that vary from state to state.

### **What is Not Covered by the Advaning Limited Warranty**

This warranty is non-transferable and does not cover product purchases from the initial buyer to a third party. This warranty does not cover incidental damages, such as loss of time, loss of use, or installation costs of defective, repaired or replaced product. This warranty does not cover product that has been damaged or rendered defective as a result of:

- (a) Neglect, abuse or misuse.
- (b) Modification of the original product.
- (c) Improper use or installation using products not manufactured by Advaning.
- (d) Service provided by anybody other than Advaning.
- (e) Abnormal mechanical or environmental conditions.
- (f) Unusual physical or electrical stress -including failure or fluctuation of electrical power, lighting, static electricity, fire, tornadoes, or other natural disasters.

### **Shipping Damage Claim:**

On the occasion of a damage claim, the end user must contact point of sale and shipping carrier within 3 days of signing for the delivery in order to make a claim. Failure to report shipping damage and missing parts within 3 days and in accordance to the carrier's guidelines may result in end user incurring all costs.

Likewise, there are 7 days to report missing parts to Advaning.

For more information, please contact the corporate office.

Advaning Customer Service Center  
Email: [service@advaning.com](mailto:service@advaning.com)

CONTACT  
INFORMATION

Service Questions: [service@advaning.com](mailto:service@advaning.com)

12282 Knott Street, Garden Grove, CA 92841

[www.advaning.com](http://www.advaning.com)